



INTAKE NOISE SUPPRESSOR

INSTALLATION MANUAL

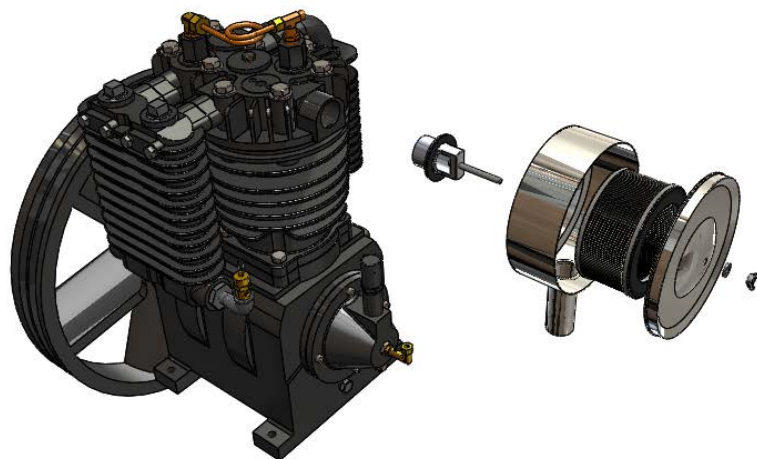


PARTS LIST

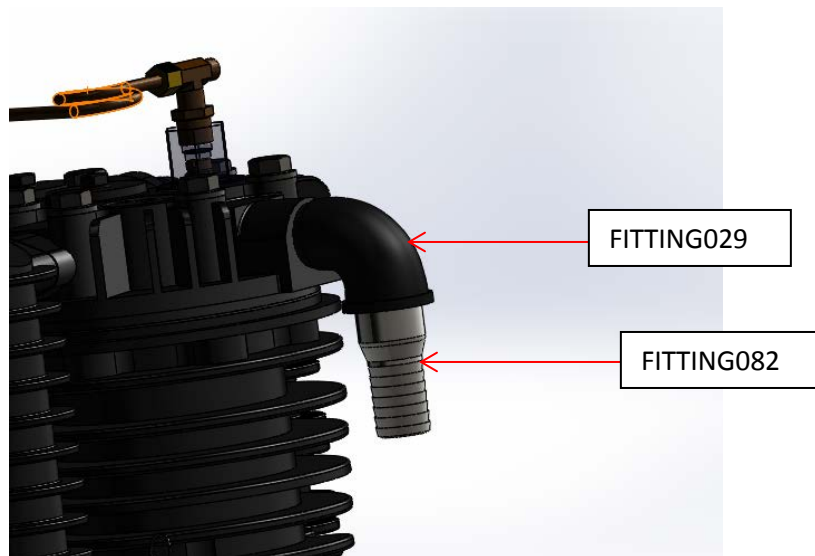
PART NUMBER	DESCRIPTION	QUANTITY	PICTURE
FITTING029	1" STREET L	2	
FITTING034	1" NPT PLUG (OPTIONAL)	1	
FITTING082	1" NPT MALE X 1" BARBED	4	
FITTING024	3/4" NPT NIPPLE 1 1/8" LONG (OPTIONAL)	2	
FITTING041	1/2" NPT NIPPLE 1 3/8" LONG (OPTIONAL)	2	
FITTING090	1" NPT X 1/2" NPT REDUCER (OPTIONAL)	2	
FITTING091	1" NPT X 3/4" NPT REDUCER (OPTIONAL)	2	
HOSE002	1" I.D. BLACK VENT HOSE	12 FT.	
SILENSOR001	INTAKE NOISE SUPPRESSOR	1	

Installation Instructions

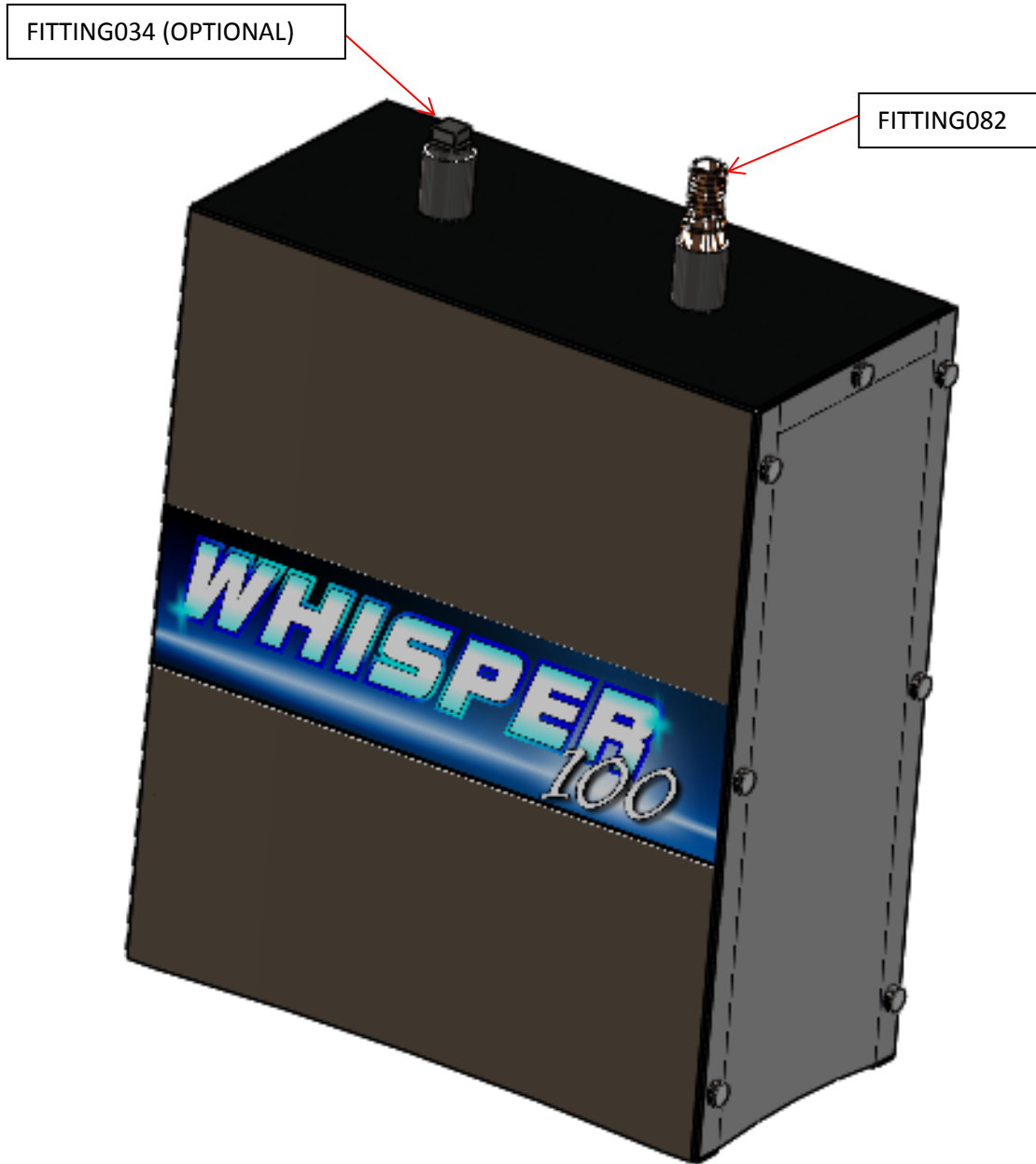
1. Remove existing filter assembly/assemblies from compressor pump



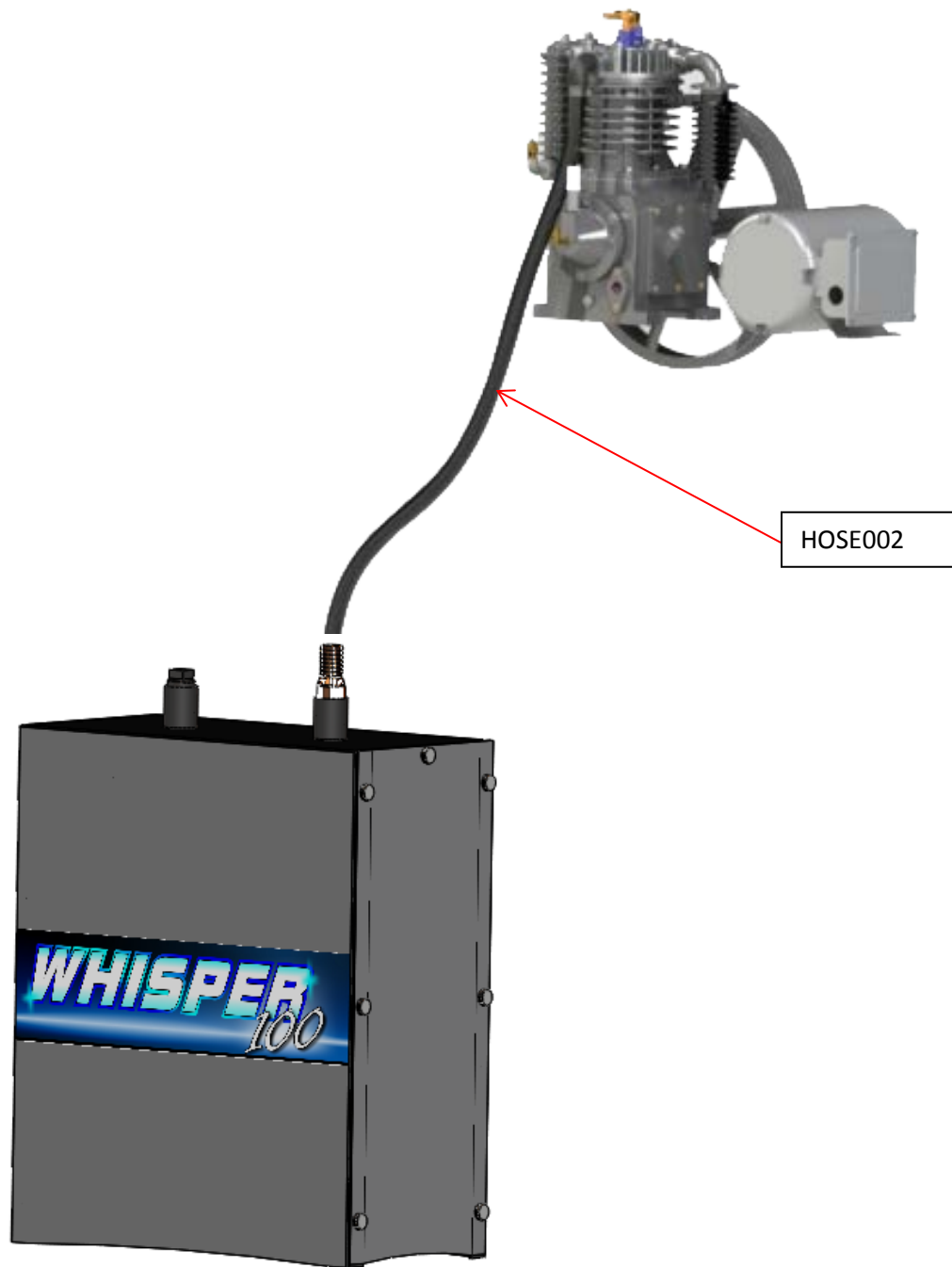
2. Install FITTING029 (1" Street L) into head intake port tighten until elbow is facing down. Install FITTING082 (barbed connector) into FITTING029 and tighten. **NOTE:** Standard Intake Port size is 1", however some pumps may have 1/2" or 3/4" port sizes. Additional fittings have been supplied to reduce from 1" to 1/2" or 3/4" if necessary. Additional components are marked (OPTIONAL) on Parts List.



3. Install FITTING082 as shown and tighten. *NOTE: Example shown below requires only one outlet due to a single pump filter application. The 2nd Inlet Port has been plugged using FITTING034 (1" NPT PLUG).*



4. Place Silencer in desired location (recommend just to the left of the unit). Trim HOSE002 to desired length and slip over FITTING082 BARBED CONNECTOR.



5. To access and replace Silencer Filter Elements:
- a. Remove thumb screws from front of Silencer
 - b. Remove Silencer Access Panel
 - c. Remove filter wing nuts
 - d. Remove filter covers
 - e. Remove filter elements

